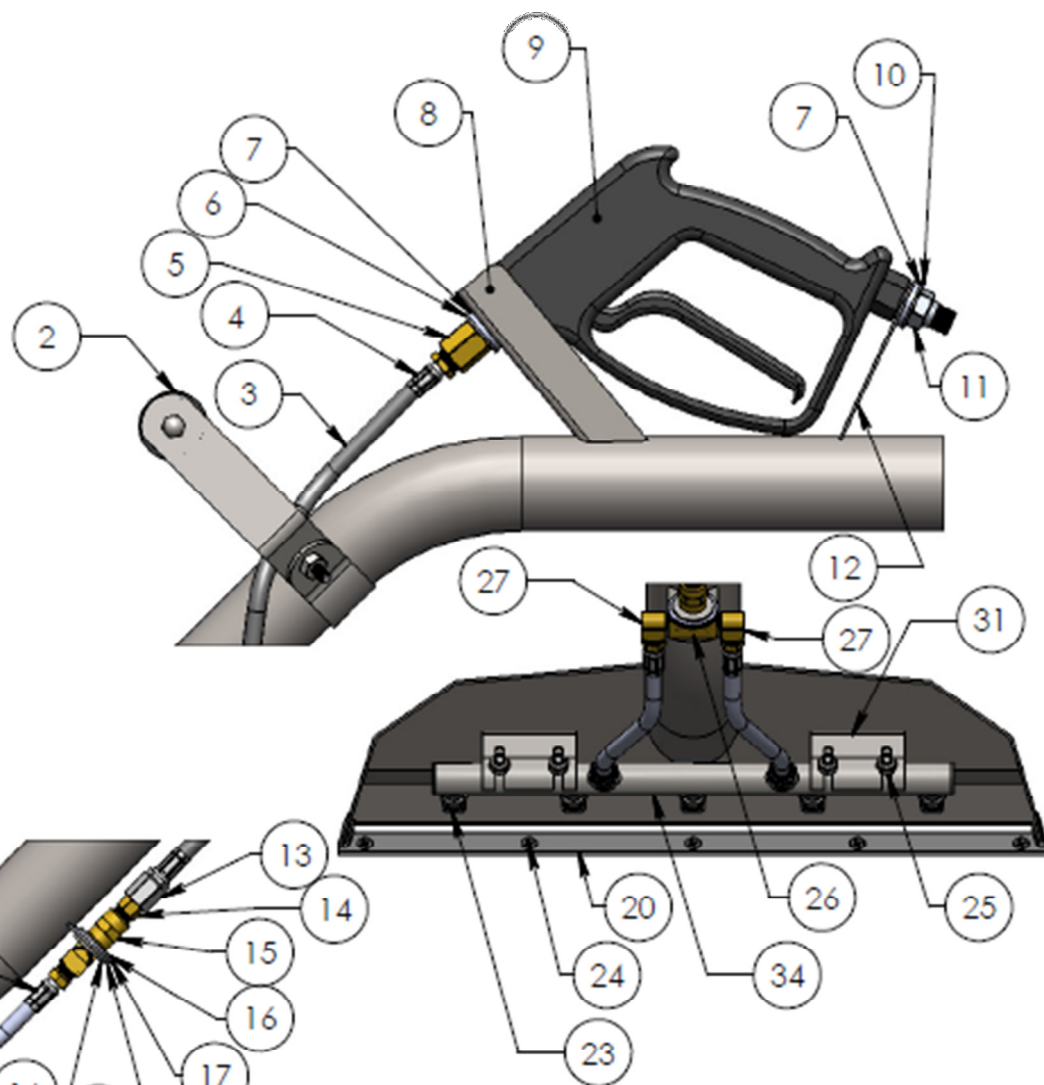
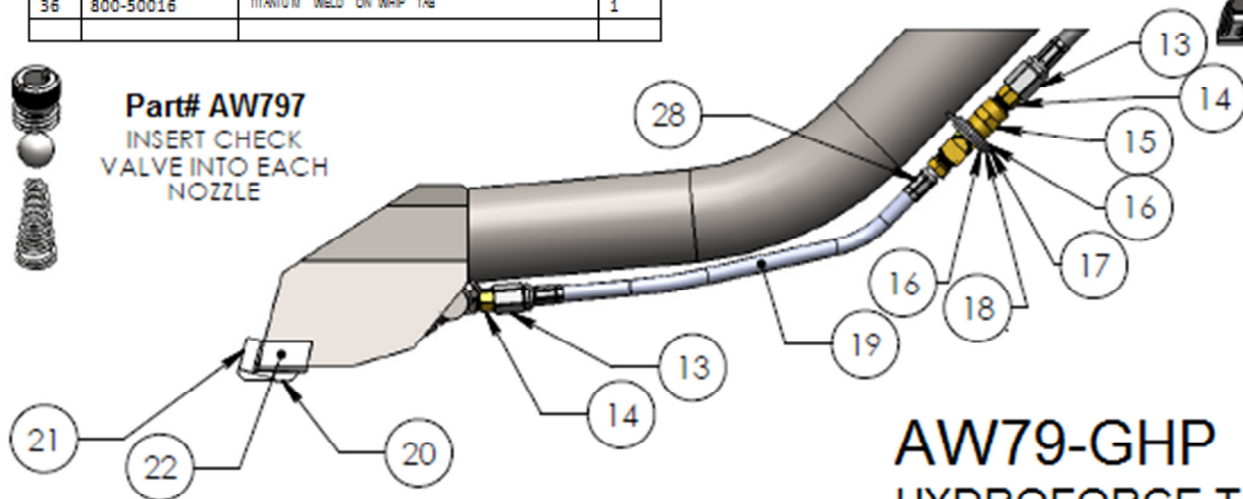


ITEM	PART NUMBER	DESCRIPTION	QTY.
1	MACH-15 WELDMENT		1
2	AW68	2" HANDLE ASSEMBLY	1
3	NA40A	3/16" HP SOL HOSE CUT @ 35.75"	1
4	AH02	1/4" MPT x 3/16" HOSE PARKER COMP FITTING	1
5	BR174	1/4" MPT x 1/4" FPT BRASS ADAPTER	1
6	RW56	1-11/16" OD x 9/16" ID 88 FLAT WASHER	1
7	10609-04144	NYLON WASHER, 10000 x 560 x .125", RW18	2
8	880-50036	16GA TI FRONT GHP VALVE BRACKET	1
9	AD49	GHP HIGH PRESSURE VALVE	1
10	RW56-68	1-11/16" OD x 11/16" ID 88 FLAT WASHER	1
11	H2355	88 NIPPLE, HEX 1/4" X 3/8"	1
12	880-50056	16GA TI REAR GHP VALVE HANGER BRACKET	1
13	AH01	1/8" FPT x 3/16" HOSE PARKER COMP FITTING	3
14	BR124	1/8" MPT x 1/8" BNE BRASS FITTING	3
15	BR110	1/8" X 1/8" FBIALE COUPLER	1
16	71017	7/8"OD x 13/32"ID 88 FLAT WASHER - RW66	2
17	10609-04122	THINNY NYLON WASHER, 10300 x 550 x .062", RW66	1
18	880-50016	TITANIUM WELD ON WHIP TAB	1
19	NA40A	3/16" HP SOL HOSE CUT @ 5"	1
20	O10-15RG	MACH-15 TEFLON REAR GLIDE	1
21	O10-15FG	MACH-15 TEFLON FRONT GLIDE	1
22	---	BCE CLIP	1
23	B304	1/8" NPT 88 90 DEGREE VEEJET	5
24	72640	#8-32 x 1/4" FLAT HEAD MACHINE SCREW	10
25	NM4081	#10-32 88 HEX NYLOCK	8
26	NM3044	1/8" MPT x 1/8" FPT x 1/8" FPT BRASS TEE	1
27	BR280	1/8" MPT x 1/8" FPT BRASS SHORT STREET ELL	2
28	AH01	1/8" MPT x 3/16" HOSE PARKER COMP FITTING	2
29	100003	BLACK PLASTIC ZIP TIE	2
30	AC33-15	15" 88 STANDARD WAND GLIDE	2
31	810-50056	BOLT-ON MANIFOLD BRACKET	2
32	810-50065	15" 88 STANDARD WAND GLIDE	2
33	SO4-832-8	#8-32 x 1/4" 88 PBI STAND-OFF	10
34	210-50055	MACH-15 SINGLE S JET MANIFOLD	1
35	AW53	2" x 6" VINYL GRIP	2
36	800-50016	TITANIUM WELD ON WHIP TAB	1



Part# AW797
 INSERT CHECK
 VALVE INTO EACH
 NOZZLE



AW79-GHP
 HYDROFORCE TITANIUM WAND w/ PISTOL GRIP